

XPR-10AS



Two-Post Lifts

SKU# 5175397

10,000-lb. Capacity, Asymmetric Clearfloor, Adjustable Width, Screw Pads

Questions? Contact BendPak's Sales Team

sales@bendpak.com | 1-800-253-2363

Monday - Friday, 6AM to 4:30PM PST

XPR-10AS Two-Post Lift Protects Vehicles and Makes Lifting Easy

Every XPR-10AS [two-post lift](#) features Direct-Drive technology that's only available with BendPak. The asymmetrical design of this lift has rotated columns, which makes it easier to enter and exit the vehicle and reduces the chance of door dings and dents. If you have a 12' ceiling, you can have this lift in your shop or home today! A 10K capacity BendPak car lift is a smart addition to any shop or garage.

Options

SKU#	Model	Description
5175398	XPR-10AS-LP	Low-Profile Arms
5175401	XPR-10AS-168	168" Overall Height
5175402	XPR-10AS-168-LP	168" OAH / Low-Profile

Features

- Expandable top beam for wide or narrow drive-thru
- Double-telescoping screw pads offer increased versatility
- Added overhead safety shutoff bar
- Tru-Metric arm design for more versatile arm positioning
- 30° rotated single-piece columns
- Single-point safety release
- Drop-end arms provide a lower pad height
- Dual hydraulic direct-drive cylinders
- Oversized 53" tall carriage for superior strength
- Electric / hydraulic power system
- Large, 17" x 19" A36 steel base plate
- Self-ubricating dura-glide UHMW polyethylene bearings
- Safety locks in each column spaced every 3"
- Automatic arm restraints
- Heavy-duty 1/2" aircraft-quality equalizer cables
- Oversized cable sheave diameter reduces cable fatigue
- 4-piece 63 mm stackable adapter set comes standard
- Triple-telescoping arm design
- Versatile drop-in contact pads with stackable adapters
- ETL Approved



Direct-Drive two-post car lift technology

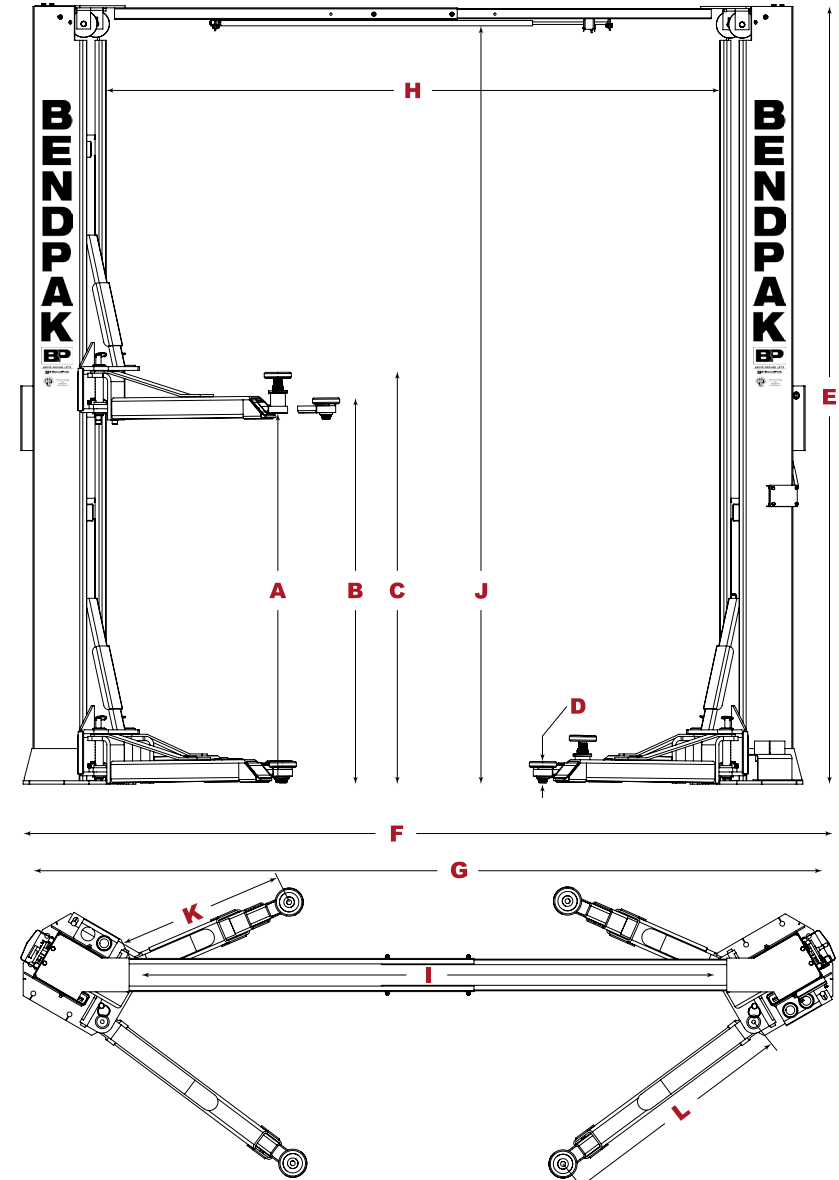
BendPak XPR-10 two-post lifts feature low-pressure HVLP Direct-Drive cylinders: no more lifting chains or screws. Dual HVLP low-pressure cylinders minimize leakage, offer better reliability, smoother operation and fewer maintenance costs throughout the life of your lift. High volume and low pressure equates to less workload placed on the entire hydraulic system. Direct-Drive technology is preferred on commercial-grade two-post car lifts, as it has fewer moving parts than a chain-over-roller cylinder configuration. Pressurized hydraulic fluid flows from the power unit to the hollow cylinder rods, entering the cylinder body and filling its internal cavity. The pressure of the hydraulic fluid extends the piston rod downward, raising the cylinder body and lift carriages.

Two-stage telescoping screw pad assembly kit

Double-telescoping screw pads come standard with every asymmetrical 10K car lift. These polyurethane pads are ideal for intense shop environments and busy mechanics who can't afford money-sucking downtime. 63 mm stackable adapters are included for even more versatility.

Specifications

Model	XPR-10S	XPR-10AS
Style	Symmetric	Asymmetric
SKU#	5175390	5175393
Lifting Capacity	10,000 lbs. (4,536 kg)	10,000 lbs. (4,536 kg)
A - Rise	69" (1,753 mm)	69" (1,753 mm)
B - Rise + Pad Only	73" (1,854 mm)	73" (1,854 mm)
C - Max. Lifting Height	79" (2,007 mm)	79" (2,007 mm)
D - Min. Height + Pad	4" (102 mm)	4" (102 mm)
E - Height Overall (*)	145" (3,683 mm)	145" (3,683 mm)
F - Width Overall	132" (3,353 mm) - 145" (3,683 mm)	137" (3,480 mm) - 145" (3,683 mm)
G - Outside Columns	126.75" (3,220 mm) - 139.75" (3,555 mm)	133" (3,378 mm) - 141" (3,581 mm)
H - Inside Columns	105.5" (2,680 mm) - 118.5" (3,010 mm)	104" (2,642 mm) - 112" (2,845 mm)
I - Drive-Thru Clearance	93" (2,362 mm) - 106" (2,692 mm)	94" (2,388 mm) - 102" (2,591 mm)
J - Floor to Top Switch (*)	141" (3,581 mm)	141" (3,581 mm)
K - Front Arm Reach (MIN)	27.5" (698 mm)	23.5" (597 mm)
K - Front Arm Reach (MAX)	51.5" (1,308 mm)	45.5" (1,156 mm)
L - Rear Arm Reach (MIN)	34" (863 mm)	42.5" (1,079 mm)
L - Rear Arm Reach (MAX)	54.5" (1,384 mm)	60" (1,524 mm)
Screw Pad Adjustment	2" (51 mm)	2" (51 mm)
Max. Load per Arm	2,500 lbs. (1,134 kg)	2,500 lbs. (1,134 kg)
Time to Full Rise	45 seconds	45 seconds
Noise	45 dB	45 dB
Motor	220 VAC / 60 Hz / 1 Ph	220 VAC / 60 Hz / 1 Ph



*Optional bolt-on top extension for columns raises the overall height and overhead safety bar an additional 24". Must be ordered from BendPak at time of order.

Not all BendPak lift models meet the standards as prescribed by ANSI/ALI ALCTV-2011 or ANSI/UL 201. Consult www.autolift.org for a complete list or contact BendPak via contact@bendpak.com.